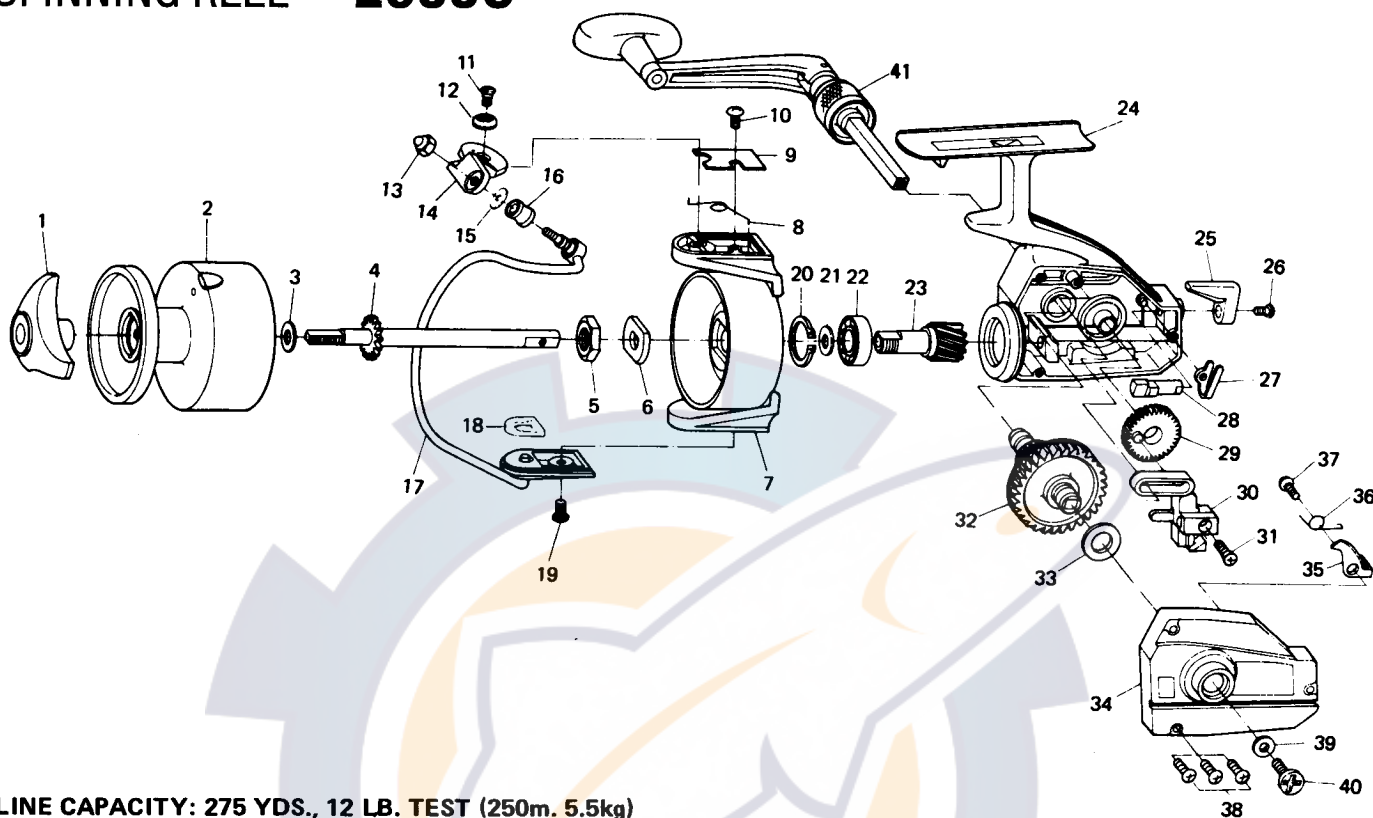


SPINNING REEL 2500C



LINE CAPACITY: 275 YDS., 12 LB. TEST (250m. 5.5kg)

Key No.	Parts No.	Parts Name	Price Per Piece	Key No.	Parts No.	Parts Name	Price Per Piece
1	6-740-2102	Drag knob	\$2.00	22	6-633-8001	Ball bearing	\$4.85
2	6-731-0201	Spool assembly	12.10	23	6-401-6611	Pinion	1.90
3	6-374-9001	Spool washer	.10	24	6-700-1511	Body	5.75
4	6-710-2013	Main shaft	1.30	25	6-540-4922	Anti-reverse lever	.20
5	6-340-4601	Rotor nut	.20	26	6-351-1801	Anti-reverse lever screw	.10
6	6-372-4901	Rotor retaining washer	.10	27	6-150-6731	Anti-reverse lever spring	.20
7	6-201-2111	Rotor	3.00	28	6-460-4721	Anti-reverse cam	.15
8	6-143-5311	Bail spring	.15	29	6-412-3401	Oscillating gear	.20
9	6-632-6411	Bail spring cover	.15	30	6-480-7711	Oscillating slider	.60
10	6-351-1801	Bail spring cover screw	.10	31	6-351-8901	Oscillating slider screw	.10
11	6-363-1901	Arm lever screw	.30	32	6-412-3311	Drive gear	2.45
12	6-130-3201	Bail holder cap	.10	33	6-371-2800	Drive gear washer	.10
13	6-340-8501	Bail nut	.40	34	6-705-1517	Body cover	2.35
14	6-230-8111	Arm lever	1.40	35	6-110-9621	Anti-reverse claw	.20
15	6-373-4501	Bail washer	.25	36	6-142-3951	Anti-reverse claw spring	.10
16	6-250-2801	Line roller	.30	37	6-351-6102	Anti-reverse claw screw	.10
17	6-725-1111	Bail	3.00	38	6-351-5901	Body cover screw	.10
18	6-210-3111	Balancer	.35	39	6-371-9521	Handle washer	.10
19	6-351-6601	Bail holder screw	.10	40	6-351-3631	Handle screw	.30
20	6-320-2111	Ball bearing retaining ring	.25	41	6-745-2101	Handle	4.45
21	6-374-4211	Pinion washer	.10				